

ICPL316J



DESCRIPTION

The ICPL316J is a 5A Gate Drive Optocoupler with Integrated Desaturation Detection and an optically isolated Fault Status Feedback. It contains an AlGaAs LED optically coupled to an integrated circuit with a power output stage. It is ideally suited for driving power IGBTs and MOSFET used in motor control inverter applications with ratings up to 1200 V and 150 A.

ICPL316J is housed in SO16 package.

FEATURES

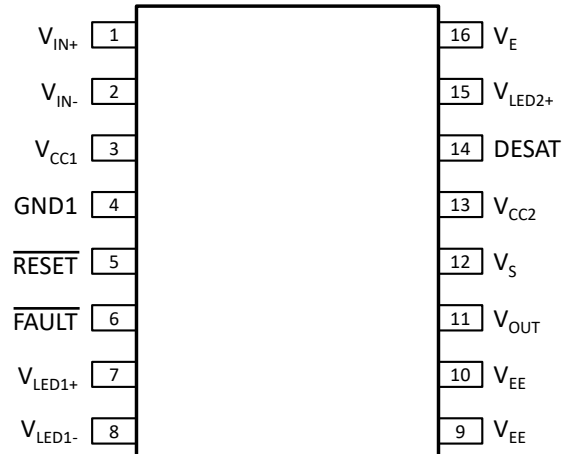
- 5.0A maximum Peak Output Current
- Integrated Fail-safe IGBT Protection
 - Desaturation (V_{CE}) Detection
 - Under Voltage Lock Out (UVLO) with Hysteresis
- Optically isolation Fault Status Feedback
- Wide Operating Voltage Range
 V_{CC} 15 to 30 V
- Guaranteed performance over Temperature range - 40°C to +100°C
- Very high Common Mode Rejection (CMR)
15kV/ μ s minimum at V_{CM} 1500V
- Lead Free and RoHS Compliant
- UL File E91231

APPLICATIONS

- Isolated IGBT / MOSFET Gate Drive
- Industrial Inverters

ORDER INFORMATION

- Supplied in Tape and Reel



CAUTION :

It is advised that normal static precautions be taken in handling and assembly of this component to prevent damage and/or degradation which may be induced by ESD.

1	V_{IN+}	Non-inverting V_{OUT} Control Input
2	V_{IN-}	Inverting V_{OUT} Control Input
3	V_{CC1}	Positive Input Supply Voltage
4	GND1	Input Ground
5	\overline{RESET}	FAULT Reset Input
6	\overline{FAULT}	FAULT Output
7	V_{LED+}	LED 1 Anode
8	V_{LED-}	LED 2 Cathode
9	V_{EE}	Negative Output Supply Voltage
10	V_{EE}	Negative Output Supply Voltage
11	V_{OUT}	Gate Drive Voltage Output
12	V_S	Output Pull Up MOSFET Source
13	V_{CC2}	Positive Output Supply Voltage
14	DESAT	Desaturation Voltage Input
15	V_{LED2+}	LED 2 Anode
16	V_E	Common Output Supply Voltage (IGBT Emitter)

ISOCOM COMPONENTS 2004 LTD

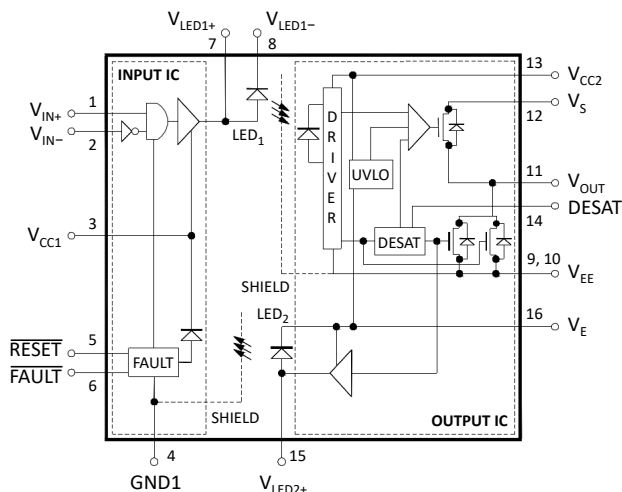
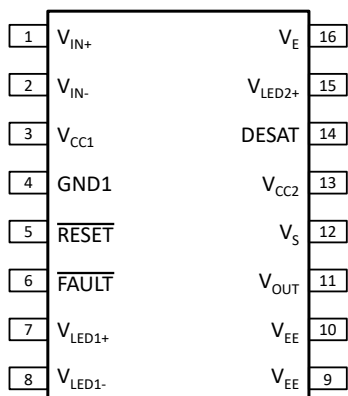
Unit 25B, Park View Road West, Park View Industrial Estate
Hartlepool, Cleveland, TS25 1PE, United Kingdom
Tel : +44 (0)1429 863 609 Fax : +44 (0)1429 863 581
e-mail : sales@isocom.co.uk
<http://www.isocom.com>

ISOCOM COMPONENTS ASIA LTD

Hong Kong Office,
Block A, 8/F, Wah Hing Industrial Mansions
36 Tai Yau Street, San Po Kong, Kowloon, Hong Kong
Tel : +852 2995 9217 Fax : +852 8161 6292
e-mail : sales@isocom.com.hk



ICPL316J



1	V _{IN+}	Non-inverting Gate Drive Control (V _{OUT}) Input
2	V _{IN-}	Inverting Gate Drive Control (V _{OUT}) Input
3	V _{CC1}	Positive Input Supply Voltage (4.5 V to 5.5 V)
4	GND1	Input Ground
5	RESET	FAULT Reset Input A logic low input for at least 0.1μs, asynchronously resets FAULT output high and enables V _{IN} . Synchronous control of RESET relative to V _{IN} is required. RESET is not affected by UVLO. Asserting RESET while V _{OUT} is high does not affect V _{OUT} .
6	FAULT	Fault Output FAULT changes from a high impedance state to a logic low output within 5μs of the voltage on the DESAT pin exceeding an internal reference voltage of 7V. FAULT output remains low until RESET is brought low. FAULT output is an open collector which allows the FAULT outputs from all ICPL316Js in a circuit to be connected together in a "wired OR" forming a single fault bus for interfacing directly to the micro-controller.
7	V _{LED1+}	LED 1 Anode This pin must be left unconnected for guaranteed data sheet performance (for Optical Coupling Testing only).
8	V _{LED1-}	LED 1 Cathode This pin must be connected to Ground.
9	V _{EE}	Negative Output Supply Voltage
10	V _{EE}	Negative Output Supply Voltage
11	V _{OUT}	Gate Drive Voltage Output
12	V _S	Output Pull Up MOSFET Source It is connected to V _{CC2} directly or through a resistor to limit output turn-on current.
13	V _{CC2}	Positive Output Supply Voltage
14	DESAT	Desaturation Voltage Input When the voltage on DESAT exceeds an internal reference voltage of 7V while the IGBT is on, FAULT output is changed from a high impedance state to a logic low state within 5μs.
15	V _{LED2+}	LED 2 Anode This pin must be left unconnected for guaranteed data sheet performance (for Optical Coupling Testing only).
16	V _E	Common Output Supply Voltage (IGBT Emitter)

ISOCOM COMPONENTS 2004 LTD

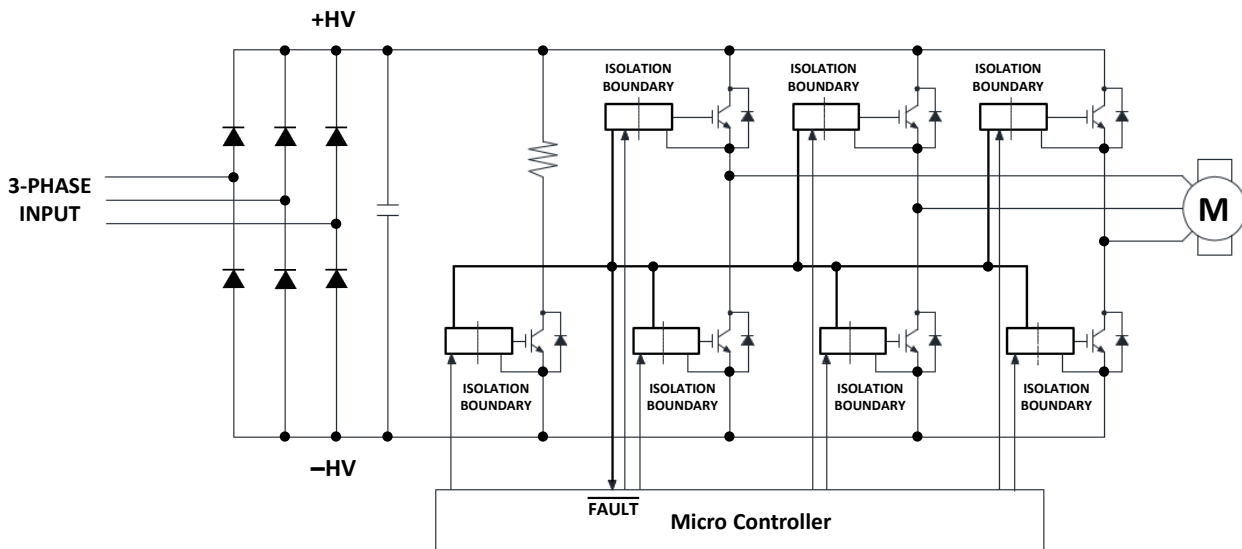
Unit 25B, Park View Road West, Park View Industrial Estate
Hartlepool, Cleveland, TS25 1PE, United Kingdom
Tel : +44 (0)1429 863 609 Fax : +44 (0)1429 863 581
e-mail : sales@isocom.co.uk
<http://www.isocom.com>

ISOCOM COMPONENTS ASIA LTD

Hong Kong Office,
Block A, 8/F, Wah Hing Industrial Mansions
36 Tai Yau Street, San Po Kong, Kowloon, Hong Kong
Tel : +852 2995 9217 Fax : +852 8161 6292
e-mail : sales@isocom.com.hk

FAULT Protected IGBT Gate Drive

The ICPL316J is an easy-to-use, intelligent gate driver which makes IGBT V_{CE} fault protection compact, affordable, and easy-to-implement. Features such as user configurable inputs, integrated V_{CE} detection, under voltage lockout (UVLO), “soft” IGBT turn-off and isolated fault feed back provide maximum design flexibility and circuit protection.



ISOCOM COMPONENTS 2004 LTD
 Unit 25B, Park View Road West, Park View Industrial Estate
 Hartlepool, Cleveland, TS25 1PE, United Kingdom
 Tel : +44 (0)1429 863 609 Fax : +44 (0)1429 863 581
 e-mail : sales@isocom.co.uk
<http://www.isocom.com>

ISOCOM COMPONENTS ASIA LTD
 Hong Kong Office,
 Block A, 8/F, Wah Hing Industrial Mansions
 36 Tai Yau Street, San Po Kong, Kowloon, Hong Kong
 Tel : +852 2995 9217 Fax : +852 8161 6292
 e-mail : sales@isocom.com.hk

Overview

The ICPL316J is a highly integrated power control device that incorporates all the necessary components for a complete, isolated IGBT gate drive circuit with fault protection and feedback into one SO16 package.

TTL input logic levels allow direct interface with a microcontroller, and an optically isolated power output stage drives IGBTs with power ratings of up to 150 A and 1200 V. A high speed internal optical link minimizes the propagation delays between the microcontroller and the IGBT while allowing the two systems to operate at very large common mode voltage differences that are common in industrial motor drives and other power switching applications.

An output IC provides local protection for the IGBT to prevent damage during over-currents, and a second optical link provides a fully isolated fault status feedback signal for the microcontroller. A built in "watchdog" circuit monitors the power stage supply voltage to prevent IGBT caused by insufficient gate drive voltages.

This integrated IGBT gate driver is designed to increase the performance and reliability of a motor drive without the cost, size, and complexity of a discrete design.

Two light emitting diodes and two integrated circuits housed in the same SO16 package provide the input control circuitry, the output power stage, and two optical channels.

The input Buffer IC is designed on a bipolar process, while the output Detector IC is designed manufactured on a high voltage BiCMOS/Power DMOS process. The forward optical signal path, as indicated by LED1, transmits the gate control signal. The return optical signal path, as indicated by LED2, transmits the fault status feedback signal. Both optical channels are completely controlled by the input and output ICs respectively, making the internal isolation boundary transparent to the microcontroller.

Under normal operation, the input gate control signal directly controls the IGBT gate through the isolated output detector IC. LED2 remains off and a fault latch in the input buffer IC is disabled. When an IGBT fault is detected, the output detector IC immediately begins a "soft" shutdown sequence, reducing the IGBT current to zero in a controlled manner to avoid potential IGBT damage from inductive over-voltages. Simultaneously, this fault status is transmitted back to the input buffer IC via LED2, where the fault latch disables the gate control input and the active low fault output alerts the microcontroller.

During power-up, the Under Voltage Lockout (UVLO) feature prevents the application of insufficient gate voltage to the IGBT, by forcing the ICPL316J's output low. Once the output is in the high state, the DESAT (V_{CE}) detection feature of the ICPL316J provides IGBT protection.

Thus, UVLO and DESAT work in conjunction to provide constant IGBT protection.

ISOCOM COMPONENTS 2004 LTD

Unit 25B, Park View Road West, Park View Industrial Estate
Hartlepool, Cleveland, TS25 1PE, United Kingdom
Tel : +44 (0)1429 863 609 Fax : +44 (0)1429 863 581
e-mail : sales@isocom.co.uk
<http://www.isocom.com>

ISOCOM COMPONENTS ASIA LTD

Hong Kong Office,
Block A, 8/F, Wah Hing Industrial Mansions
36 Tai Yau Street, San Po Kong, Kowloon, Hong Kong
Tel : +852 2995 9217 Fax : +852 8161 6292
e-mail : sales@isocom.com.hk



ICPL316J

Description of Operation during Fault Condition

1. DESAT terminal monitors the IGBT V_{CE} voltage through D_{DESAT} .
2. When the voltage on the DESAT terminal exceeds 7 volts, the IGBT gate voltage (V_{OUT}) is slowly lowered.
3. \overline{FAULT} output goes low, notifying the microcontroller of the fault condition.
4. Microcontroller takes appropriate action.

Output control

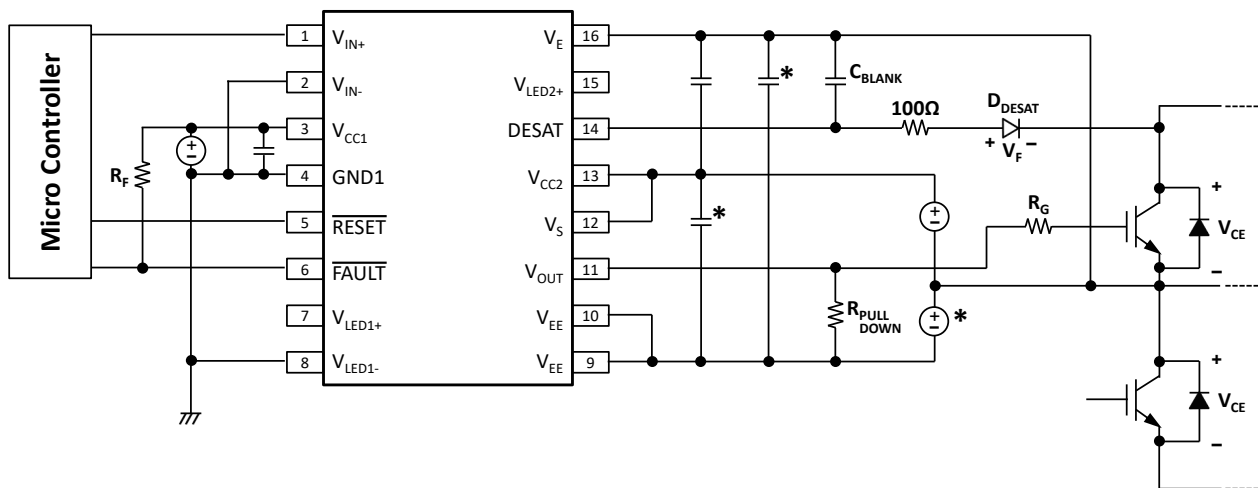
The outputs (V_{OUT} and \overline{FAULT}) of the ICPL316J are controlled by the combination of V_{IN} , UVLO and a detected IGBT Desat condition. The ICPL316J can be configured as inverting or non-inverting using the V_{IN+} or V_{IN-} inputs respectively.

When an inverting configuration is desired, V_{IN+} must be held high and V_{IN-} toggled.

When a non-inverting configuration is desired, V_{IN-} must be held low and V_{IN+} toggled.

Once UVLO is not active ($V_{CC2} - V_E > V_{UVLO}$), V_{OUT} is allowed to go high, and the DESAT (pin 14) detection feature of the ICPL316J will be the primary source of IGBT protection. UVLO is needed to ensure DESAT is functional. Once $V_{UVLO+} > 11.6\text{ V}$, DESAT will remain functional until $V_{UVLO-} < 12.4\text{ V}$.

Thus, the DESAT detection and UVLO features of the ICPL316J work in conjunction to ensure constant IGBT protection.



* : These components are needed only when negative gate drive is implemented.

ISOCOM COMPONENTS 2004 LTD

Unit 25B, Park View Road West, Park View Industrial Estate
Hartlepool, Cleveland, TS25 1PE, United Kingdom
Tel : +44 (0)1429 863 609 Fax : +44 (0)1429 863 581
e-mail : sales@isocom.co.uk
<http://www.isocom.com>

ISOCOM COMPONENTS ASIA LTD

Hong Kong Office,
Block A, 8/F, Wah Hing Industrial Mansions
36 Tai Yau Street, San Po Kong, Kowloon, Hong Kong
Tel : +852 2995 9217 Fax : +852 8161 6292
e-mail : sales@isocom.com.hk

ICPL316J

ABSOLUTE MAXIMUM RATINGS (T_A = 25°C)

Stresses exceeding the absolute maximum ratings can cause permanent damage to the device.
Exposure to absolute maximum ratings for long periods of time can adversely affect reliability.

Input IC

Positive Input Supply Voltage	V _{CC1}	-0.5V to 5.5V
Input Pins Voltages	V _{IN+} , V _{IN-} , V _{RESET}	-0.5V to V _{CC1}
<u>FAULT</u> Output Current	I _{FAULT}	8mA
Power Dissipation	P _I	150mW

Output IC

Total Output Supply Voltage	V _{CC2} - V _{EE}	-0.5V to 35V
Positive Output Supply Voltage	V _{CC2} - V _E	-0.5V to 35V - (V _E - V _{EE})
Negative Output Supply Voltage	V _E - V _{EE}	-0.5V to 15V
Gate Drive Output Voltage	V _{O(PEAK)}	-0.5V to V _{CC2}
Source Voltage	V _S	V _{EE} +5V to V _{CC2}
DESAT Voltage	V _{DESAT}	V _E to V _E +10V
“H” Peak Output Current PW 10µs max, Duty Cycle 0.2%	I _{OH(PEAK)}	-5A
“L” Level Peak Output Current PW 10µs max, Duty Cycle 0.2%	I _{OL(PEAK)}	5A
Power Dissipation	P _O	600mW
Junction Temperature	T _J	125°C

Total Package

Isolation Voltage	V _{ISO}	5000V _{RMS}
Operating Temperature	T _{OP}	-40 to 100 °C
Storage Temperature	T _S	-55 to 125 °C
Lead Soldering Temperature (10s)		260°C

ISOCOM COMPONENTS 2004 LTD

Unit 25B, Park View Road West, Park View Industrial Estate
Hartlepool, Cleveland, TS25 1PE, United Kingdom
Tel : +44 (0)1429 863 609 Fax : +44 (0)1429 863 581
e-mail : sales@isocom.co.uk
<http://www.isocom.com>

ISOCOM COMPONENTS ASIA LTD

Hong Kong Office,
Block A, 8/F, Wah Hing Industrial Mansions
36 Tai Yau Street, San Po Kong, Kowloon, Hong Kong
Tel : +852 2995 9217 Fax : +852 8161 6292
e-mail : sales@isocom.com.hk



ICPL316J

Truth Table

V_{IN+}	V_{IN-}	UVLO ($V_{CC2} - V_E$)	DESAT	$\overline{\text{FAULT}}$	V_{OUT}
X	X	Active	X	X	Low
X	X	X	Yes	Low	Low
Low	X	X	X	X	Low
X	High	X	X	X	Low
High	Low	Not Active	No	High	High

Recommended Operating Conditions

Parameter	Symbol	Min	Max	Unit
Operating Temperature	T_A	-40	100	°C
Input Supply Voltage	V_{CC1}	4.5	5.5	V
Total Output Supply Voltage	$V_{CC2} - V_{EE}$	15	30	V
Positive Output Supply Voltage	$V_{CC2} - V_E$	15	$30 - (V_E - V_{EE})$	V
Negative Output Supply Voltage	$V_E - V_{EE}$	0	15	V
Source Voltage	V_S	$V_{EE} + 6$	V_{CC2}	V



ICPL316J

ELECTRICAL CHARACTERISTICS (Over Recommended Operating Conditions unless Otherwise Specified.
All Typical Values at $V_{CC1} = 5V$, $V_{CC2} - V_{EE} = 30V$, $V_E - V_{EE} = 0V$,
 $T_A = 25^\circ C$ unless otherwise specified.)

INPUT IC

Parameter	Symbol	Test Condition	Min	Typ.	Max	Unit
Logic Low Input Voltages	$V_{IN+L},$ $V_{IN-L},$ V_{RESETL}				0.8	V
Logic High Input Voltages	$V_{IN+H},$ $V_{IN-H},$ V_{RESETH}		2.0			V
Logic Low Input Currents	$I_{IN+L},$ $I_{IN-L},$ I_{RESETL}	$V_{IN} = 0.4V$	-0.5			mA
\overline{FAULT} Logic Low Input Current	$I_{\overline{FAULTL}}$	$V_{\overline{FAULT}} = 0.4V$	5.0			mA
\overline{FAULT} Logic High Input Current	$I_{\overline{FAULTH}}$	$V_{\overline{FAULT}} = V_{CC1}$	-40			μA
High Level Input Supply Current	I_{CC1H}	$V_{IN+} = V_{CC1} = 5.5V,$ $V_{IN-} = 0V$			22	mA
Low Level Input Supply Current	I_{CC1L}	$V_{IN+} = V_{IN-} = 0V,$ $V_{CC1} = 5.5V$			11	mA



ICPL316J

ELECTRICAL CHARACTERISTICS (Over Recommended Operating Conditions unless Otherwise Specified.
All Typical Values at $V_{CC1} = 5V$, $V_{CC2} - V_{EE} = 30V$, $V_E - V_{EE} = 0V$
 $T_A = 25^\circ C$ unless otherwise specified.)

OUTPUT IC

Parameter	Symbol	Test Condition	Min	Typ.	Max	Unit
High Level Output Current	I_{OH}	$V_{OUT} = V_{CC2} - 4V$	-2.5			A
		$V_{OUT} = V_{CC2} - 15V$	-5			A
Low Level Output Current	I_{OL}	$V_{OUT} = V_{EE} + 2.5V$			2.5	A
		$V_{OUT} = V_{EE} + 15V$			5	A
Low Level Output Current During Fault Condition	I_{OLF}	$V_{OUT} - V_{EE} = 14V$	90		230	mA
High Level Output Voltage	V_{OH}	$I_{OUT} = -100mA$	$V_S - 2$	$V_S - 1.5$		V
		$I_{OUT} = -650\mu A$	$V_S - 1.5$	$V_S - 1$		
		$I_{OUT} = 0$			V_S	
Low Level Output Voltage	V_{OL}	$I_{OUT} = 100mA$			0.5	V
Output Supply Current	I_{CC2}	$V_{OUT} = \text{Open}$			5	mA
Low Level Source Current	I_{SL}	$I_{OUT} = 0mA$			1	mA
High Level Source Current	I_{SH}	$I_{OUT} = 0mA$			1.3	mA
		$I_{OUT} = -650\mu A$			3.0	
V_E High Level Supply Current	I_{EL}	$I_{OUT} = 0mA$	-0.8	-0.5	0	mA
V_E Low Level Supply Current	I_{EH}		-0.5	-0.25	0	mA

ELECTRICAL CHARACTERISTICS (Over Recommended Operating Conditions unless Otherwise Specified.
 All Typical Values at $V_{CC1} = 5V$, $V_{CC2} - V_{EE} = 30V$, $V_E - V_{EE} = 0V$
 $T_A = 25^\circ C$ unless otherwise specified.)

OUTPUT IC

Parameter	Symbol	Test Condition	Min	Typ.	Max	Unit
Blanking Capacitor Charging Current	I_{CHG}	$V_{DESAT} = 0 - 6V$	-0.13		-0.33	mA
		$V_{DESAT} = 0 - 6V$, $T_A = 25 - 100^\circ C$	-0.18		-0.33	
Blanking Capacitor Discharge Current	I_{DSCHG}	$V_{DESAT} = 7V$	10			mA
DESAT Threshold	V_{DESAT}	$V_{CC2} - V_E > UVLO-$	6.5	7.1	7.5	V
UVLO Threshold	V_{UVLO+}	$V_O > 5V$	11.6		13.5	V
	V_{UVLO-}	$V_O < 5V$			12.4	
UVLO Hysteresis	$UVLO_{HYS}$	$V_{UVLO+} - V_{UVLO-}$	0.4			V



ICPL316J

ELECTRICAL CHARACTERISTICS (Over Recommended Operating Conditions unless Otherwise Specified.
All Typical Values at $V_{CC1} = 5V$, $V_{CC2} - V_{EE} = 30V$, $V_E - V_{EE} = 0V$
 $T_A = 25^\circ C$ unless otherwise specified.)

SWITCHING

Parameter	Symbol	Test Condition	Min	Typ.	Max	Unit
Propagation Delay Time to High Output Level	t_{PLH}	$R_g = 10\Omega$, $C_g = 10nF$, $f = 10kHz$, Duty Cycle = 50%	100	220	500	ns
Propagation Delay Time to Low Output Level	t_{PHL}		100	220	500	
Pulse Width Distortion $ t_{PHL} - t_{PLH} $ for any given Device	PWD		-100	50	100	
Propagation Delay Difference ($t_{PHL} - t_{PLH}$) between any Two Devices	PDD		-350		350	
Output Rise Time (10% to 90%)	t_r			100		
Output Fall time (90% to 10%)	t_f			100		
DESAT Sense to 90% V_O Delay	$t_{DESAT(90\%)}$	$R_g = 10\Omega$, $C_g = 10nF$			0.5	μs
DESAT Sense to 10% V_O Delay	$t_{DESAT(10\%)}$				3	
DESAT Sense to Low Level FAULT Signal Delay	$t_{DESAT(\overline{FAULT})}$				5	
DESAT Sense to DESAT Low Propagation Delay	$t_{DESAT(LOW)}$			0.25		
\overline{RESET} to High Level FAULT Signal Delay	$t_{\overline{RESET}(\overline{FAULT})}$		3		20	
\overline{RESET} Signal Pulse Width	$PW_{\overline{RESET}}$		0.1			
UVLO to V_{OUT} High Delay	$t_{UVLO ON}$	$V_{CC2} = 1.0ms$ Ramp			4.0	
UVLO to V_{OUT} Low Delay	$t_{UVLO OFF}$				6.0	

ICPL316J

ELECTRICAL CHARACTERISTICS (Over Recommended Operating Conditions unless Otherwise Specified.
All Typical Values at $V_{CC1} = 5V$, $V_{CC2} - V_{EE} = 30V$, $V_E - V_{EE} = 0V$
 $T_A = 25^\circ C$ unless otherwise specified.)

SWITCHING

Parameter	Symbol	Test Condition	Min	Typ.	Max	Unit
Common Mode Transient Immunity at High Level Output	CM_H	$V_{CC1} = 5V$, $V_{CC2} = 25V$, $V_{CM} = 1500V_{P-P}$, $T_A = 25^\circ C$	15			kV/ μs
Common Mode Transient Immunity at Low Level Output	CM_L	$V_{CC1} = 5V$, $V_{CC2} = 25V$, $V_{CM} = 1500V_{P-P}$, $T_A = 25^\circ C$	15			kV/ μs

ISOLATION

Parameter	Symbol	Test Condition	Min	Typ.	Max	Unit
Isolation Voltage	V_{ISO}	R.H. $\leq 40\% - 60\%$, $T_A = 25^\circ C$, $t = 1 \text{ min}$	5000			V
Input - Output Resistance	R_{I-O}	$V_{I-O} = 500VDC$		10^9		Ω
Input - Output Capacitance	C_{I-O}	$f = 1MHz$, $T_A = 25^\circ C$		1.3		pF

Device is considered a two terminal device : pins 1 to 8 are shorted together and pins 9 to 16 are shorted together



ICPL316J

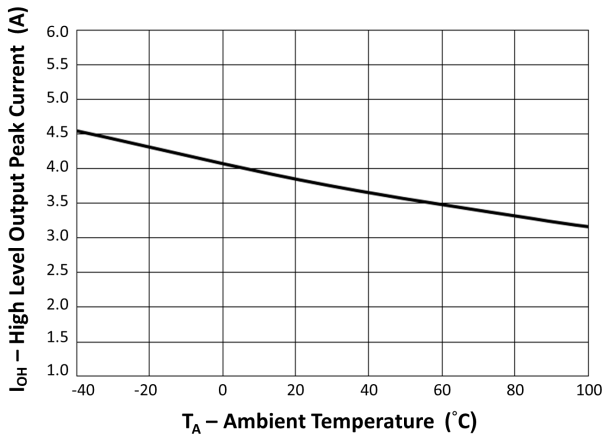


Fig 1 High Level Output Current vs Ambient Temperature

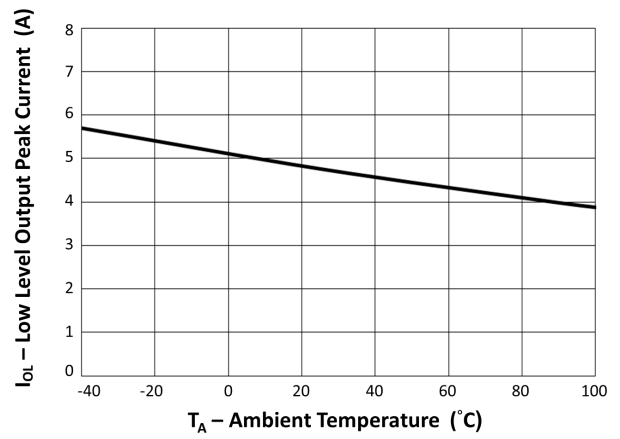


Fig 2 Low Level Output Current vs Ambient Temperature

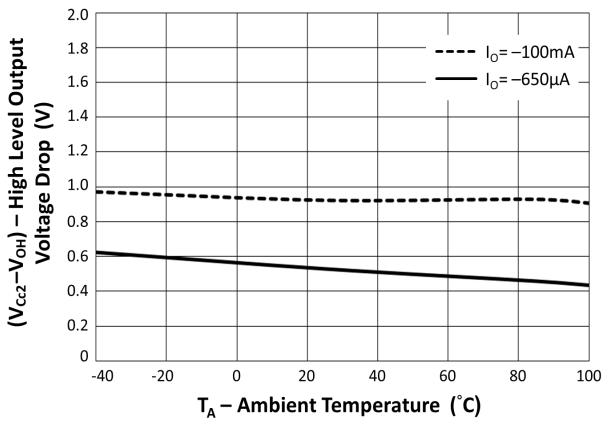


Fig 3 High Level Output Voltage Drop vs Ambient Temperature

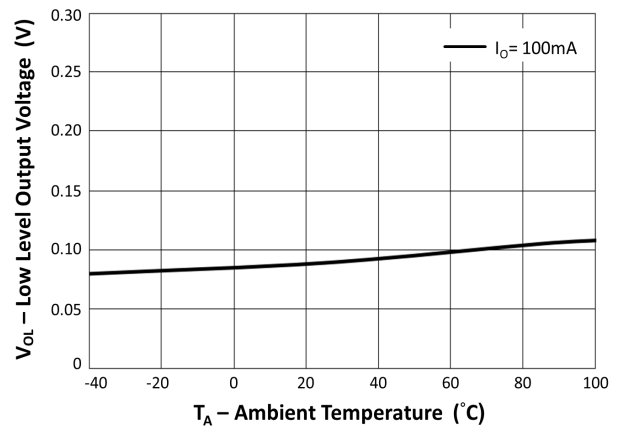


Fig 4 Low Level Output Voltage vs Ambient Temperature

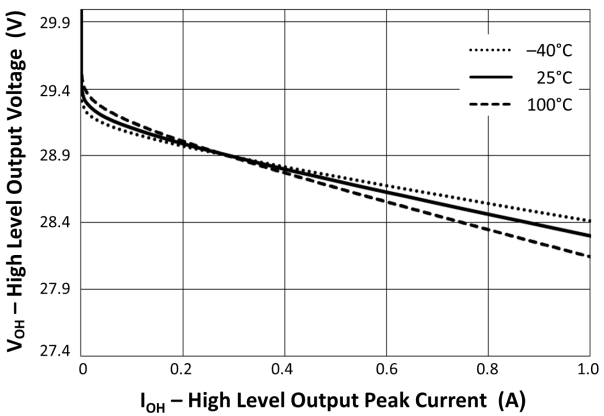


Fig 5 High Level Output Voltage vs High Level Output Current

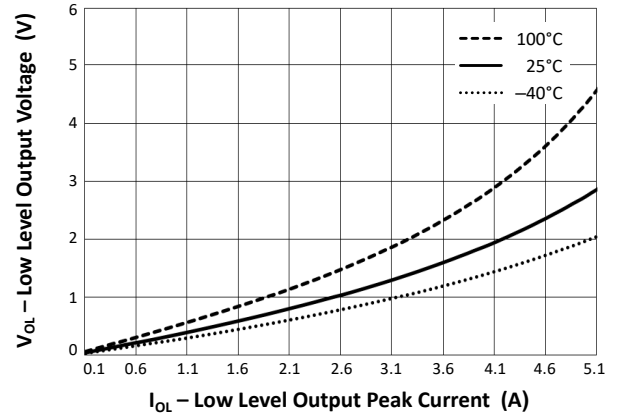


Fig 6 Low Level Output Voltage vs Low Level Output Current

ICPL316J

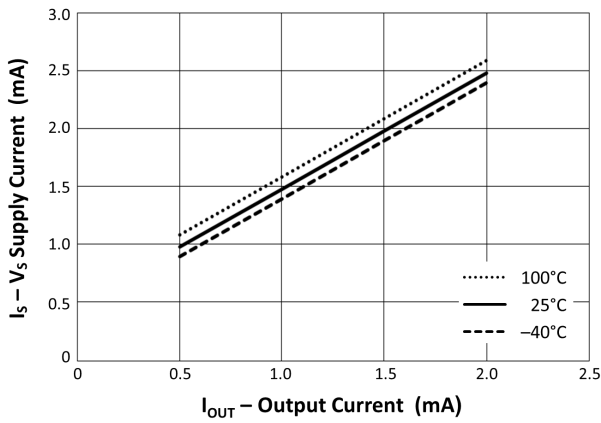


Fig 7 Source Current vs Output Current

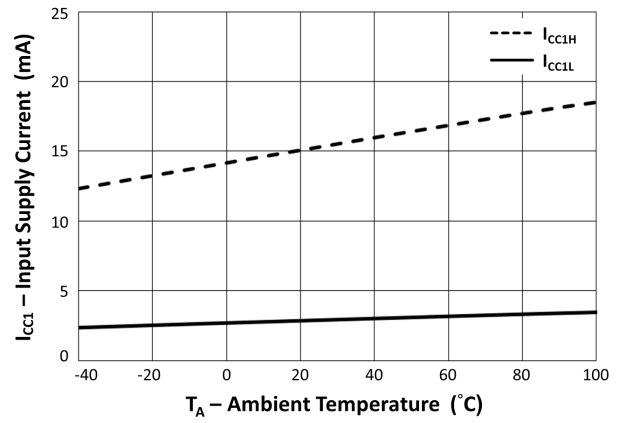


Fig 8 Input Supply Current vs Ambient Temperature

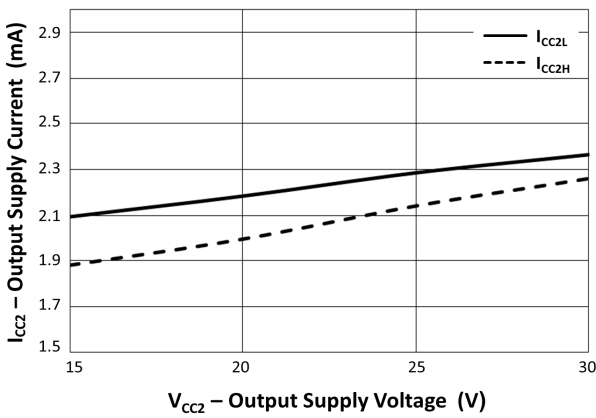


Fig 9 Output Supply Current vs Output Supply Voltage

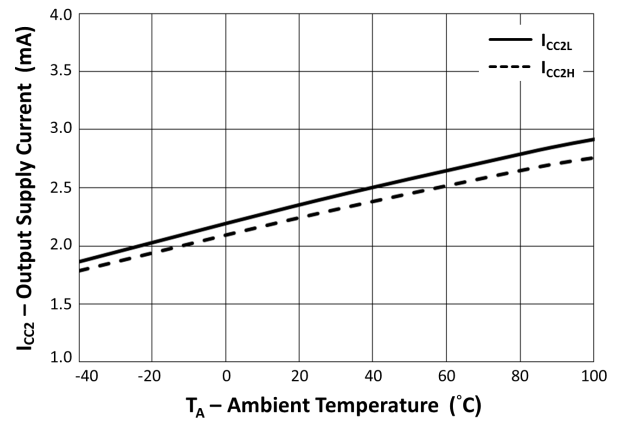


Fig 10 Output Supply Current vs Ambient Temperature

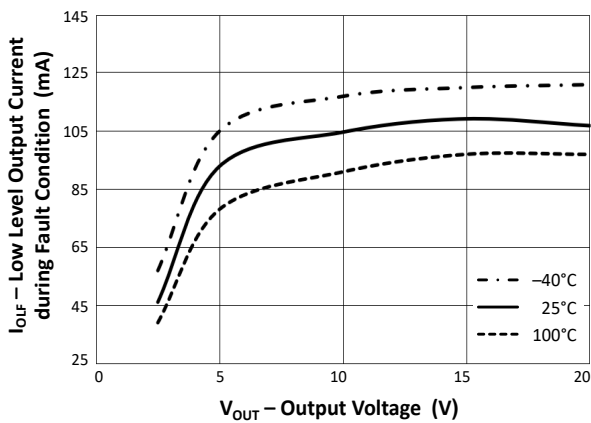


Fig 11 Low Level Output Current during Fault vs Output Voltage

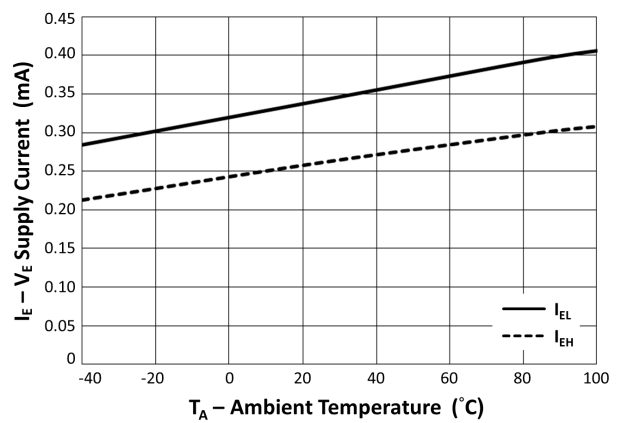


Fig 12 Supply Current (I_E) vs Ambient Temperature

ICPL316J

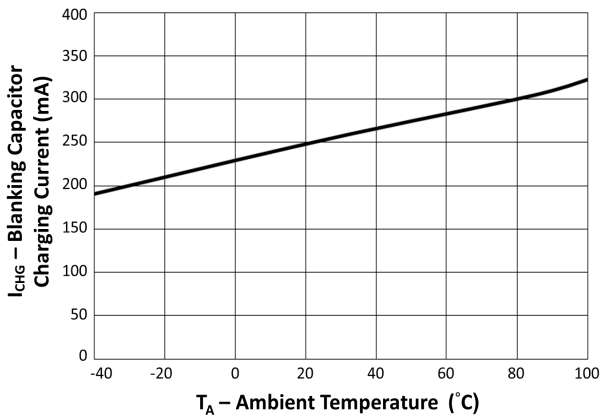


Fig 13 Blanking Capacitor Charging Current vs Ambient Temperature

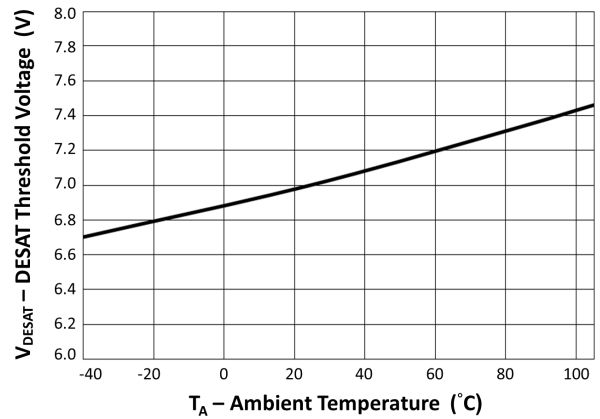


Fig 14 DESAT Threshold Voltage vs Ambient Temperature

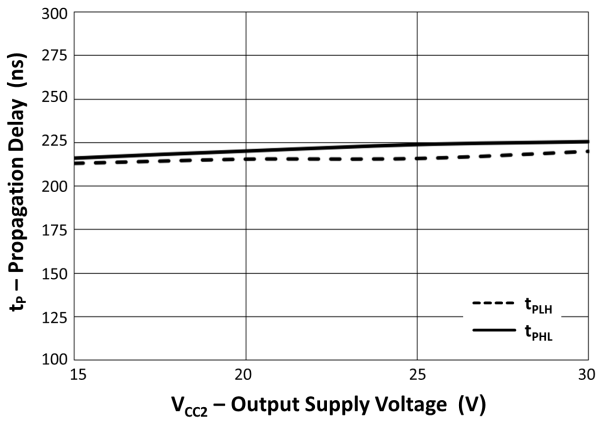


Fig 15 Propagation Delay vs Output Supply Voltage

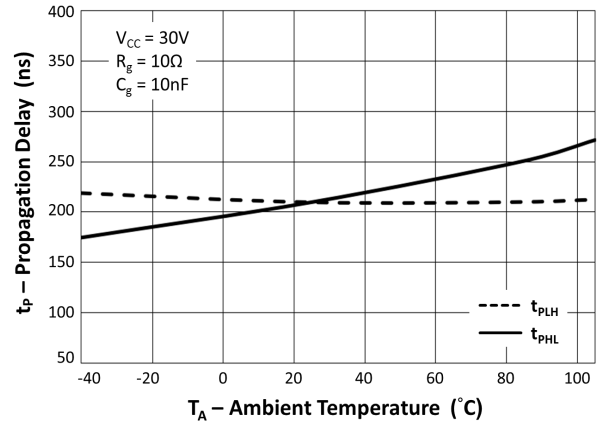


Fig 16 Propagation Delay vs Ambient Temperature

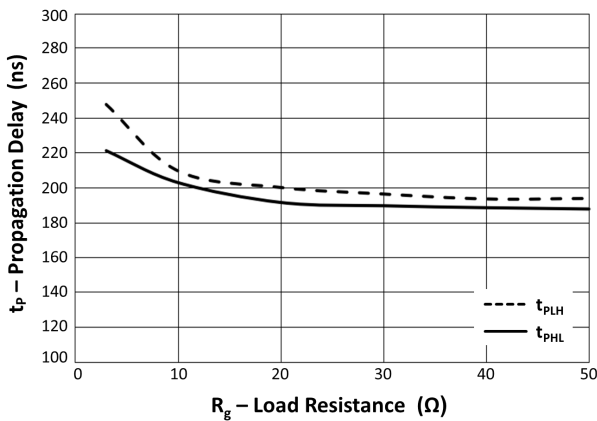


Fig 17 Propagation Delay vs Load Resistance

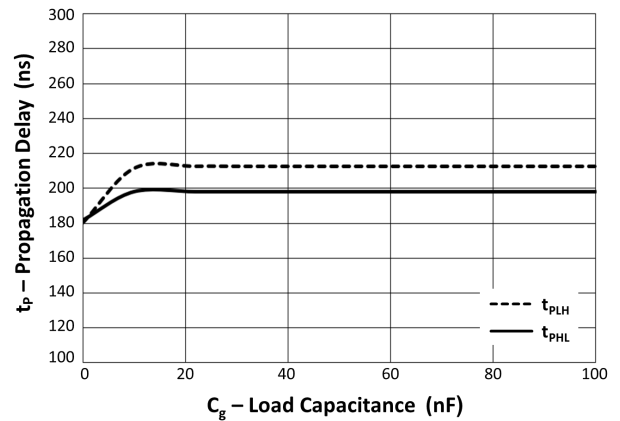


Fig 18 Propagation Delay vs Load Capacitance

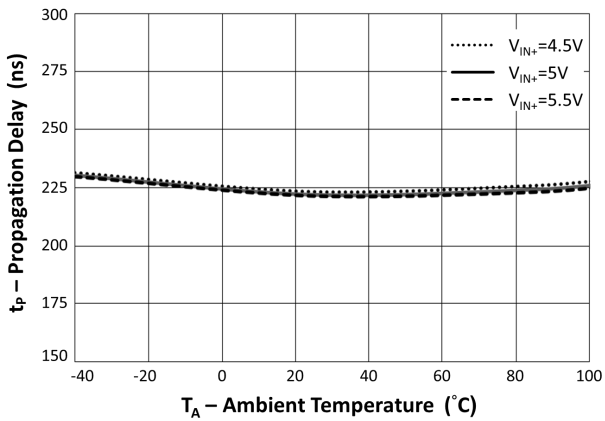


Fig 19 V_{IN} to High Output Propagation Delay vs Ambient Temperature

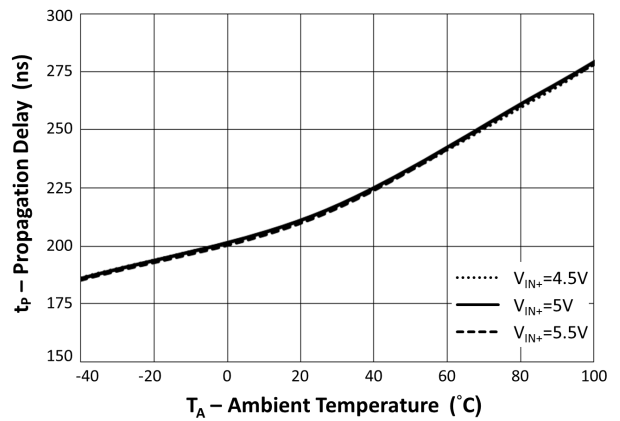


Fig 20 V_{IN} to Low Output Propagation Delay vs Ambient Temperature

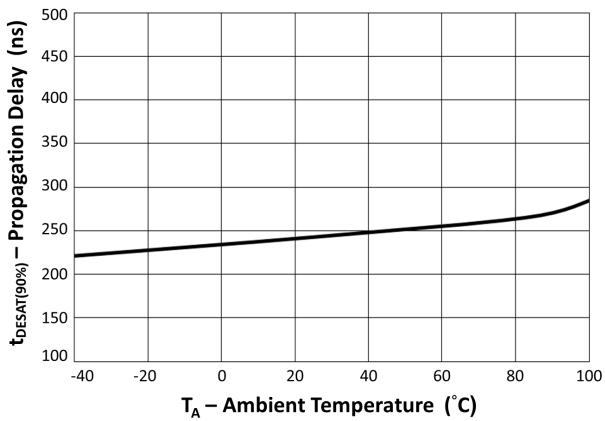


Fig 21 DESAT Sense to 90% Output Voltage Delay vs Ambient Temperature

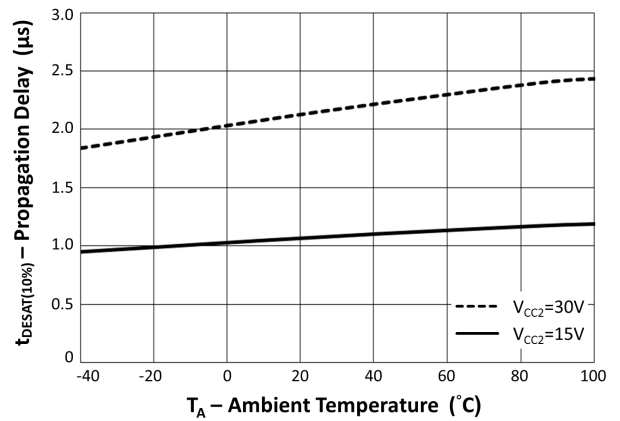


Fig 22 DESAT Sense to 10% Output Voltage Delay vs Ambient Temperature

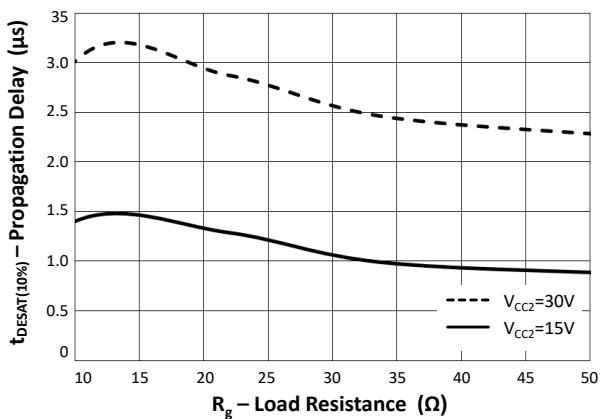


Fig 23 DESAT Sense to 10% Output Voltage Delay vs Load Resistance

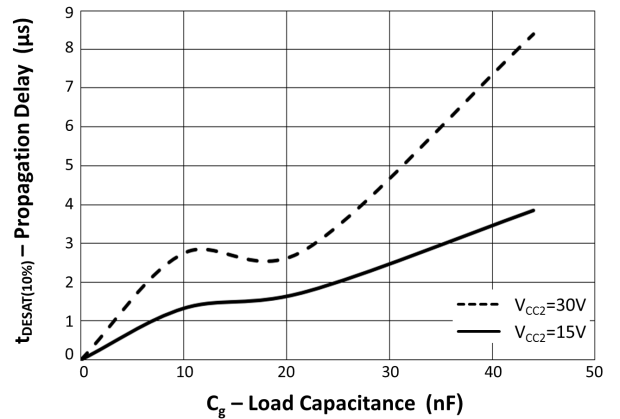


Fig 24 DESAT Sense to 10% Output Voltage Delay vs Load Capacitance

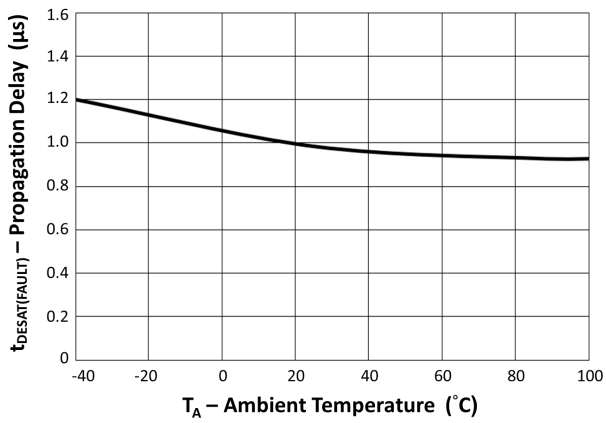


Fig 25 DESAT Sense to Low Level $\overline{\text{FAULT}}$ Signal Delay vs Ambient Temperature

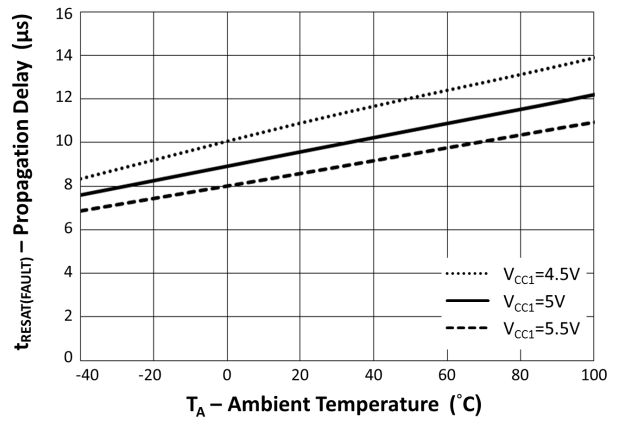


Fig 26 RESET to High Level $\overline{\text{FAULT}}$ Signal Delay vs Ambient Temperature

ICPL316J

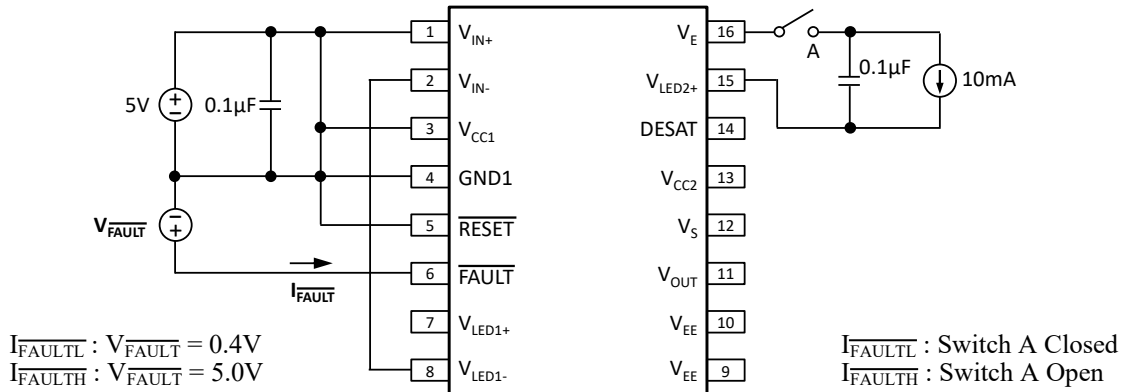


Fig 27 Fault Output Current (I_{FAULTL} and I_{FAULTH}) Test Circuit

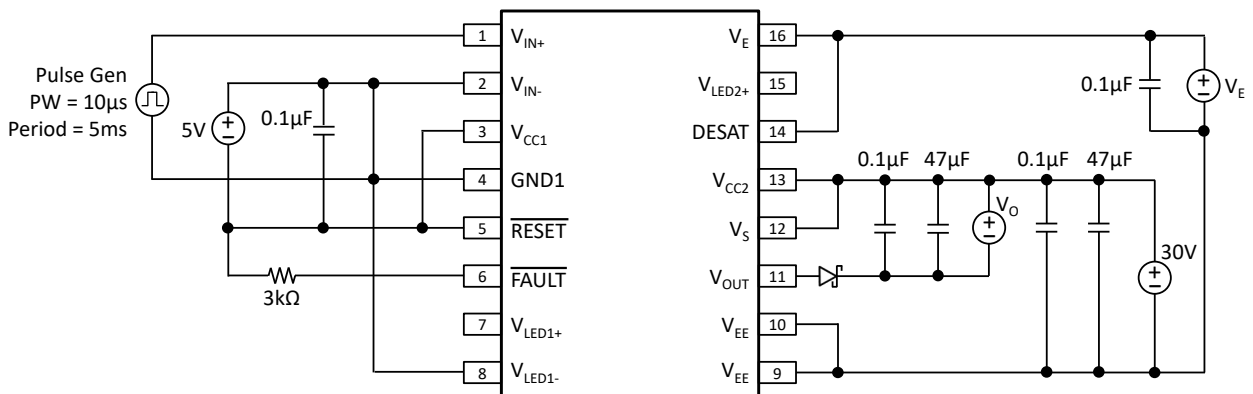


Fig 28 High Level Output Current (I_{OH}) Test Circuit

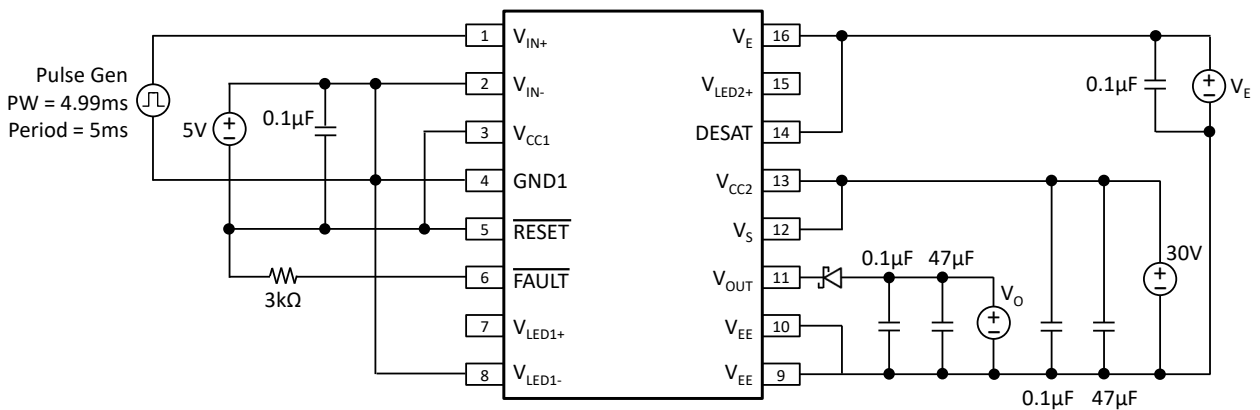


Fig 29 Low Level Output Current (I_{OL}) Test Circuit

ICPL316J

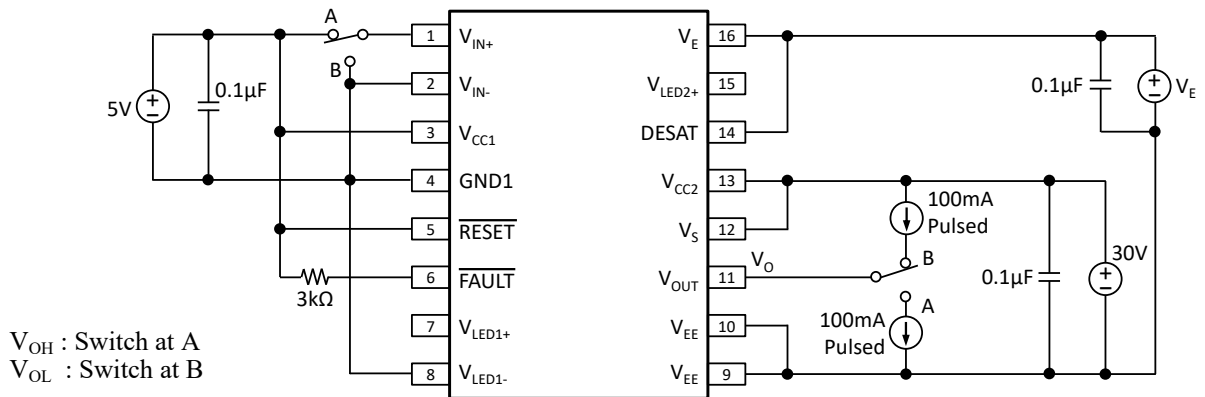


Fig 30 Output Voltage (V_{OH} and V_{OL}) Test Circuit

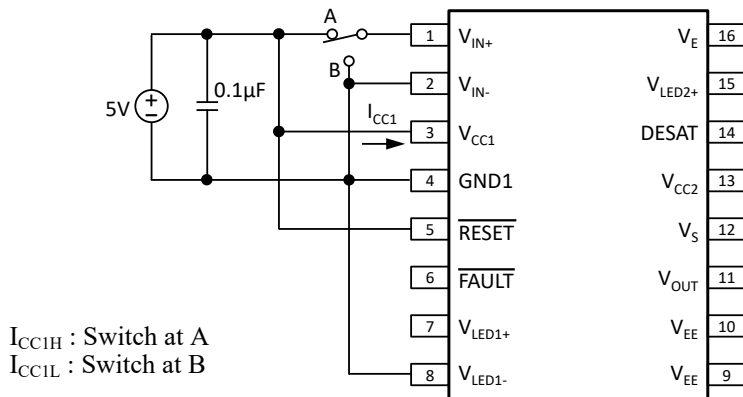


Fig 31 Input Supply Current (I_{CC1H} and I_{CC1L}) Test Circuit

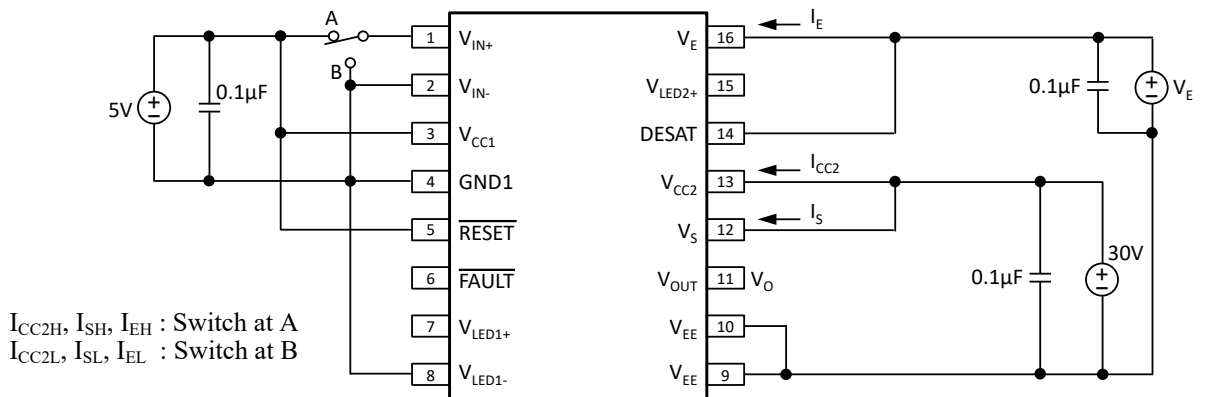


Fig 32 Output Supply Current (I_{CC2H} and I_{CC2L}), Source Current (I_{SH} and I_{SL}), V_E Supply Current (I_{EH} and I_{EL}) Test Circuit

ICPL316J

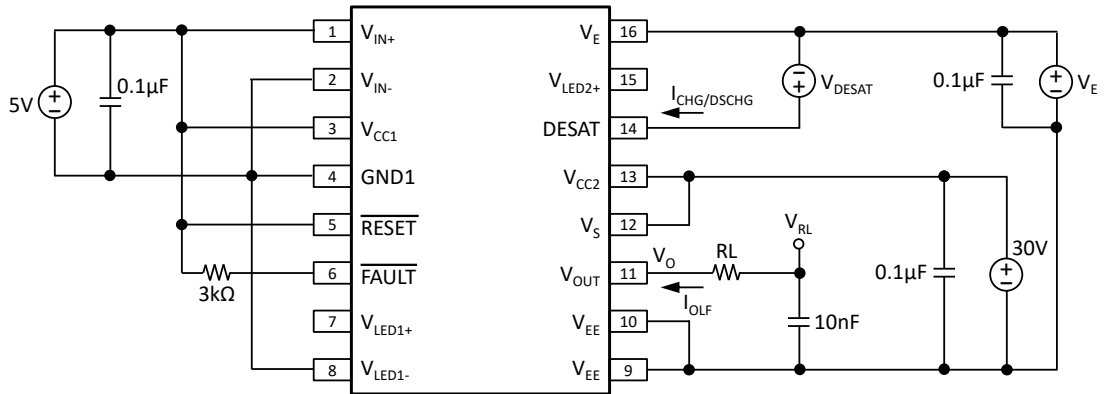


Fig 33 Test Circuit for Low Level Output Current during Fault (I_{OLF}), DESAT Threshold (V_{DESAT}), Blanking Capacitor Charging and Discharging Current (I_{CHG} and I_{DSCHG})

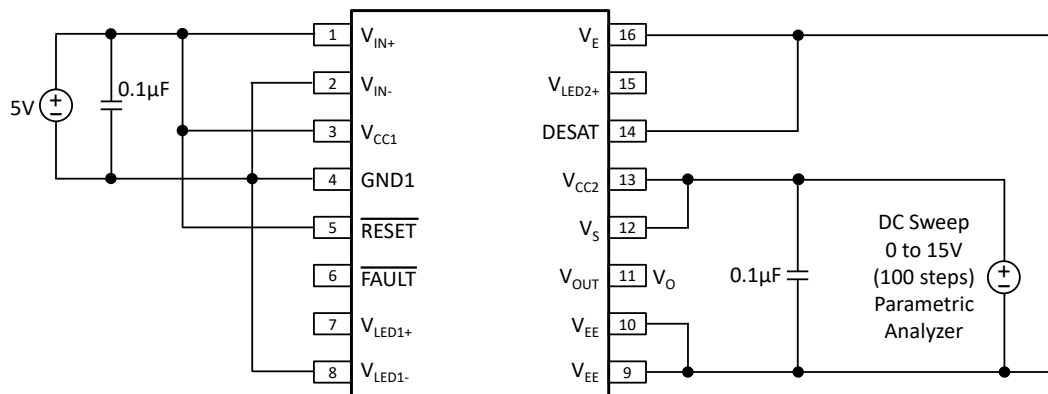


Fig 34 Under Voltage Lockout Threshold (V_{UVLO+} and V_{UVLO-}) Test Circuit

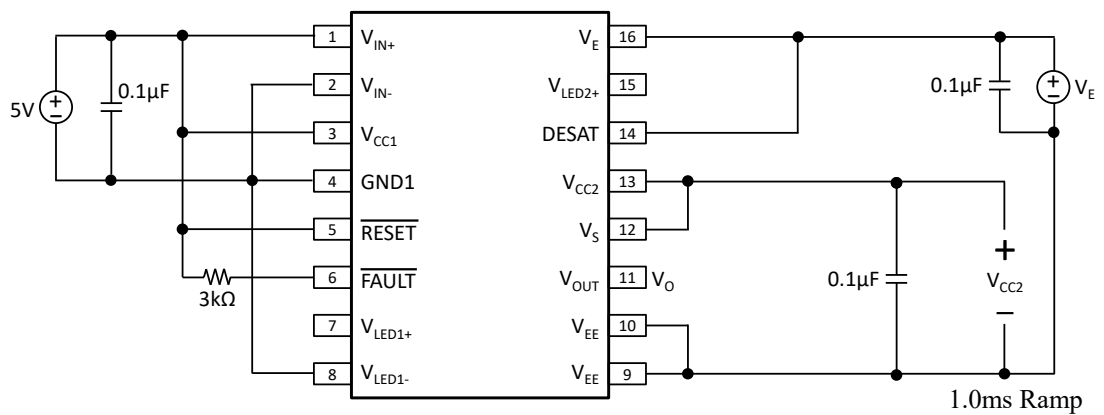


Fig 35 Under Voltage Lockout Delay (t_{UVLO+} and t_{UVLO-}) Test Circuit

ICPL316J

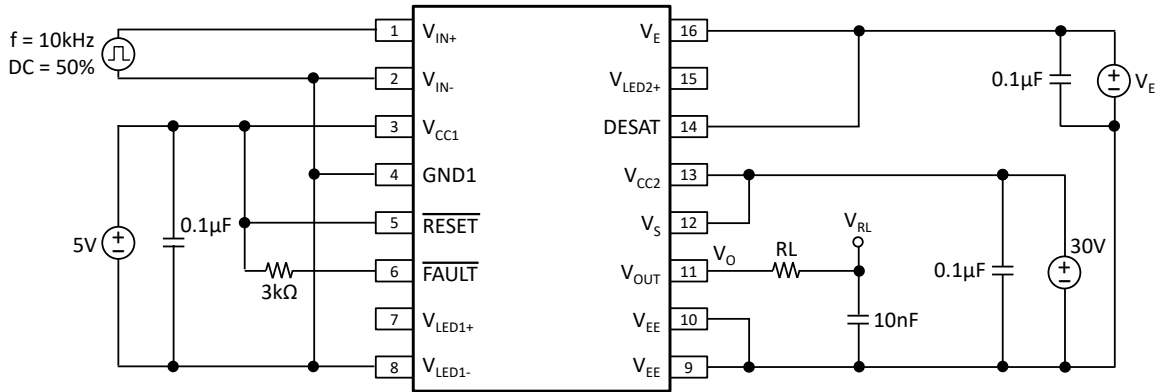


Fig 36 Propagation Delay (t_{PLH} and t_{PHL}), Pulse Width Distortion (PWD), Rise Time (t_r) and Fall Time (t_f) Test Circuit

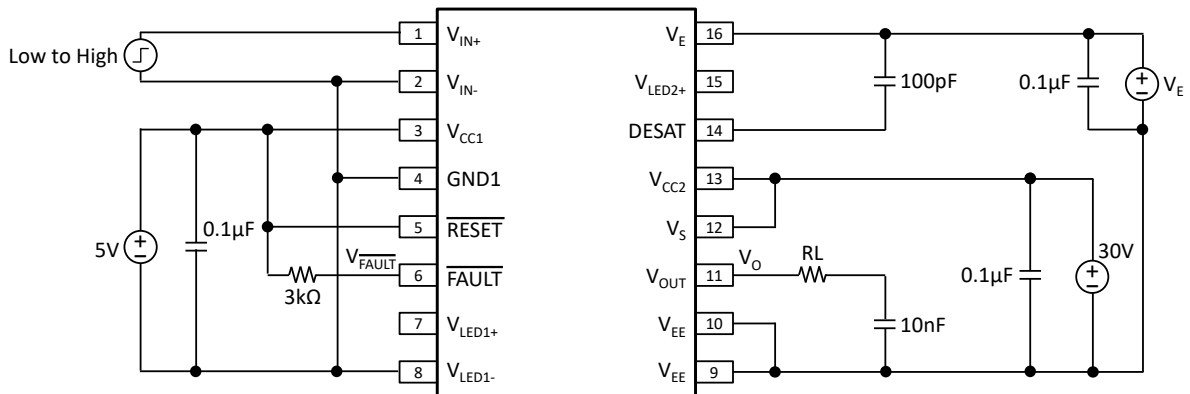


Fig 37 Test Circuit for DESAT Sense to V_O Delay ($t_{DESAT(90\%)}$ and $t_{DESAT(10\%)}$), DESAT Sense to Low Level FAULT Signal Delay ($t_{DESAT(FAULT)}$), DESAT Sense to DESAT Low Propagation Delay ($t_{DESAT(LOW)}$)

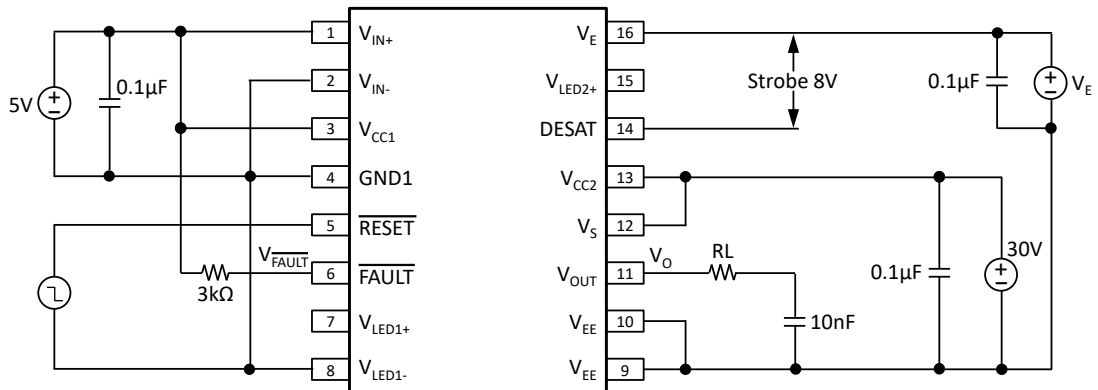


Fig 38 Reset Delay ($t_{RESET(FAULT)}$) Test Circuit



ICPL316J

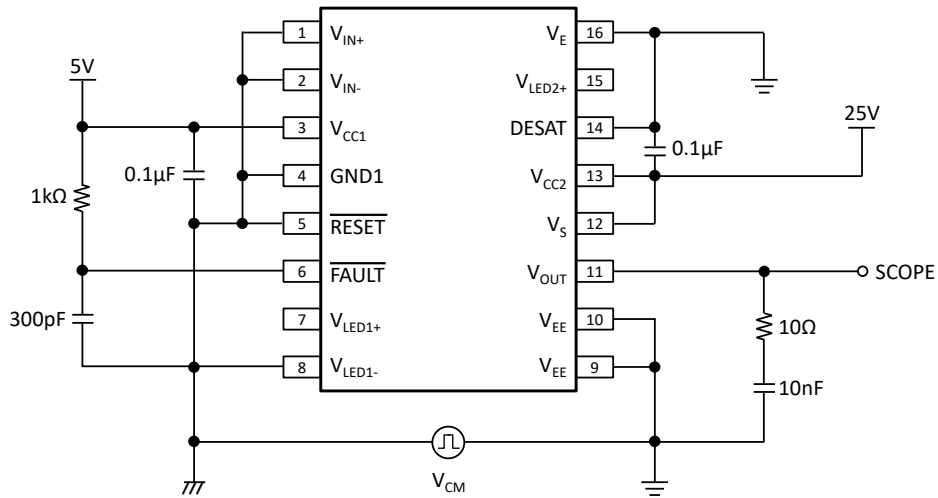


Fig 39 Common Mode Transient Immunity at Low Level Output with LED1 OFF (CM_L)

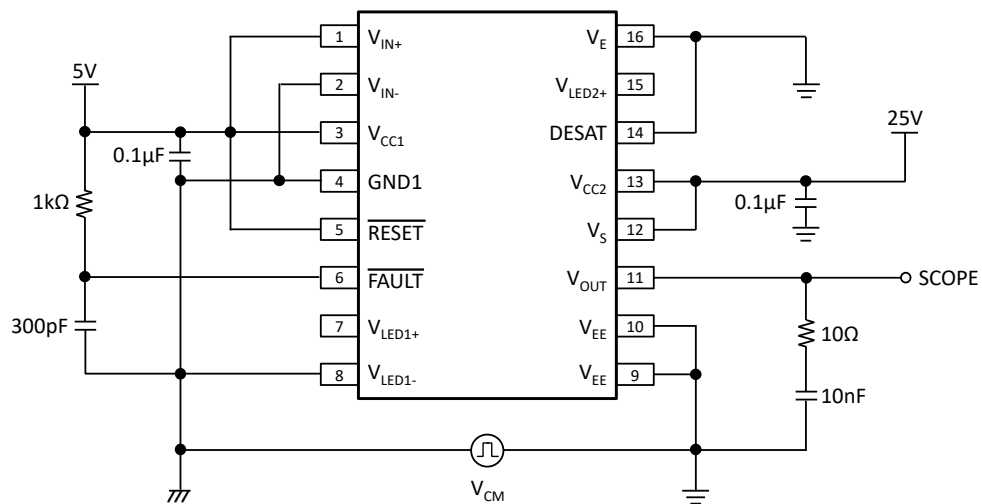


Fig 40 Common Mode Transient Immunity at High Level Output with LED1 ON (CM_H)



ICPL316J

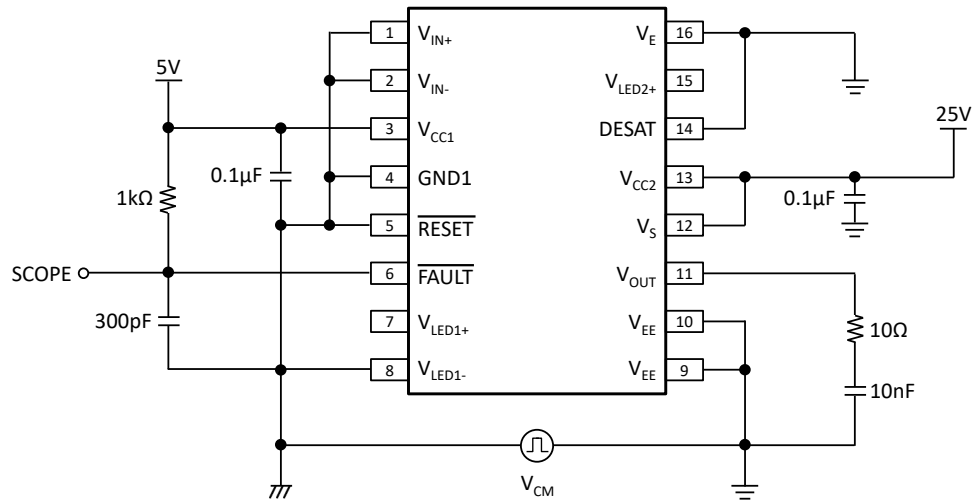


Fig 41 Common Mode Transient Immunity at High Level Output with LED2 OFF (CM_H)

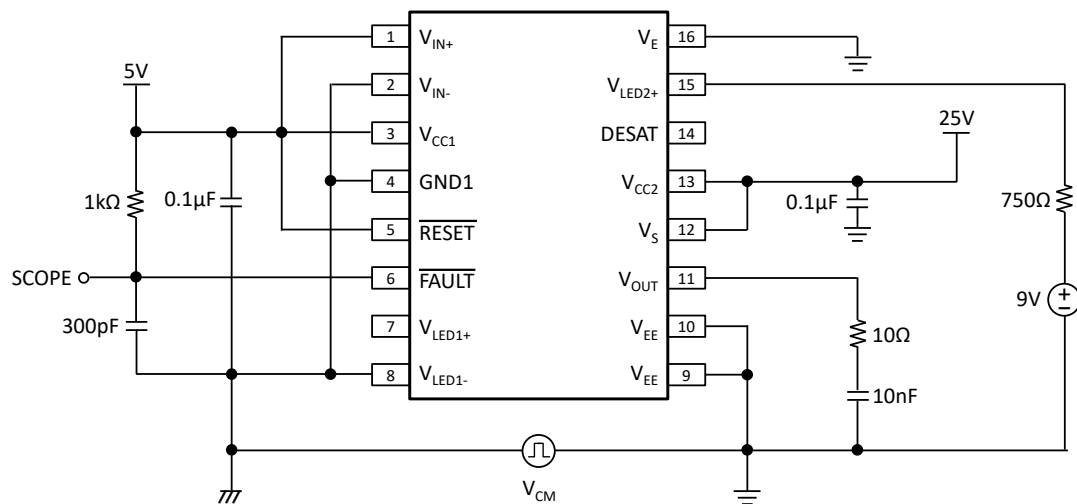
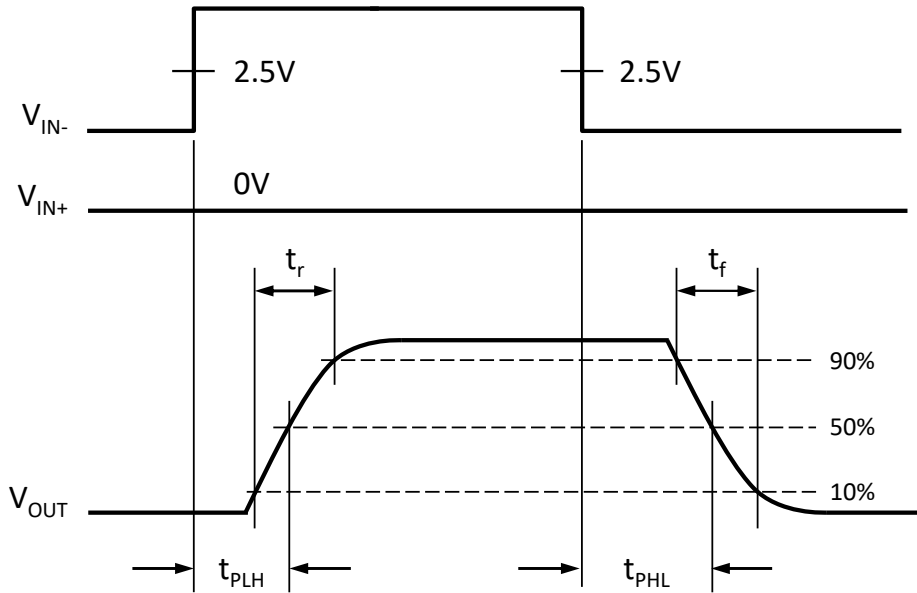
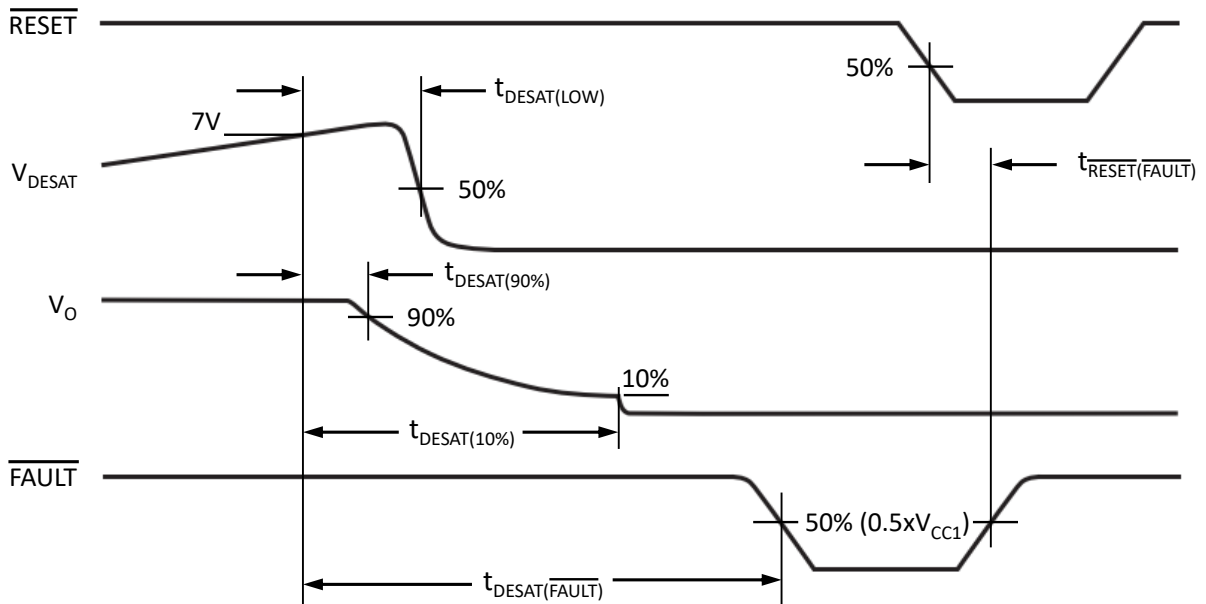


Fig 42 Common Mode Transient Immunity at Low Level Output with LED2 ON (CM_L)

ICPL316J



Propagation Delay (t_{PLH} and t_{PHL}), Rise Time (t_r) and Fall Time (t_f) Timing Waveforms



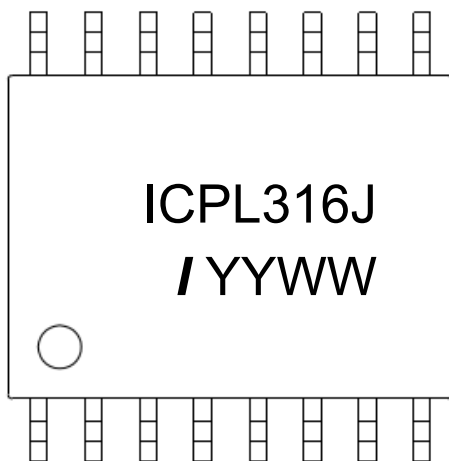
Fault Reset Input (\overline{RESET}), Desaturation Voltage Input (V_{DESAT}), Output Voltage (V_O) and Fault Output (\overline{FAULT}) Timing Waveforms

ICPL316J

ORDER INFORMATION

ICPL316J			
After PN	PN	Description	Packing quantity
None	ICPL316J	Surface Mount Tape & Reel	850 pcs per reel

DEVICE MARKING

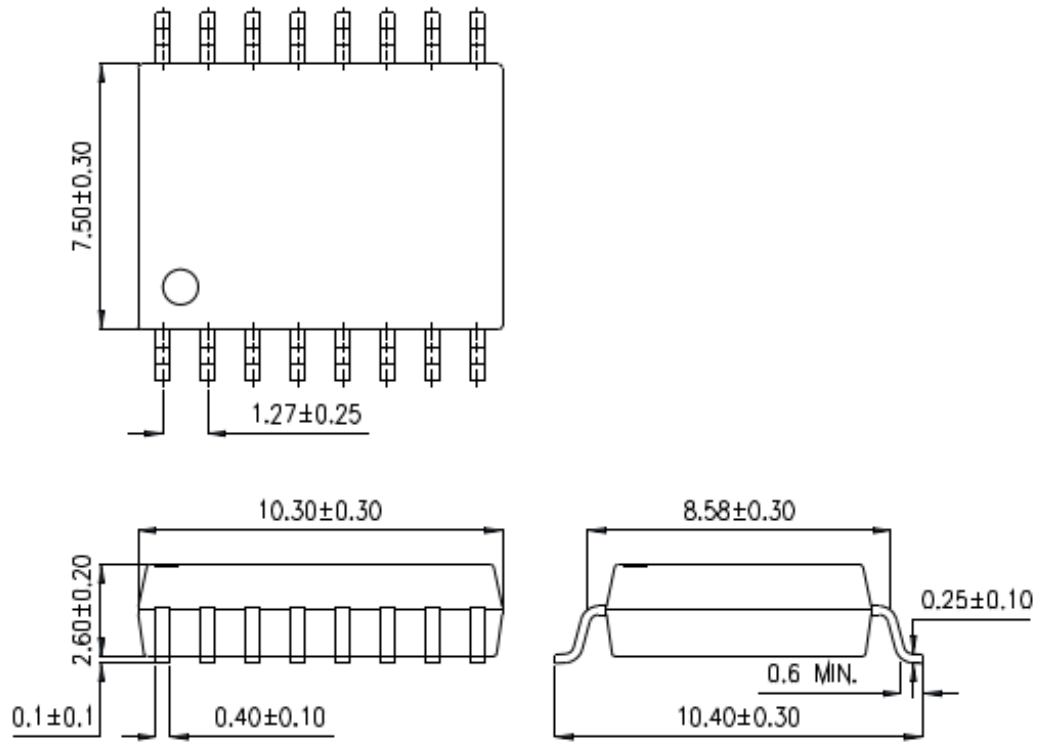


ICPL316J denotes Device Part Number
 / denotes Isocom
 YY denotes 2 digit Year code
 WW denotes 2 digit Week code



ICPL316J

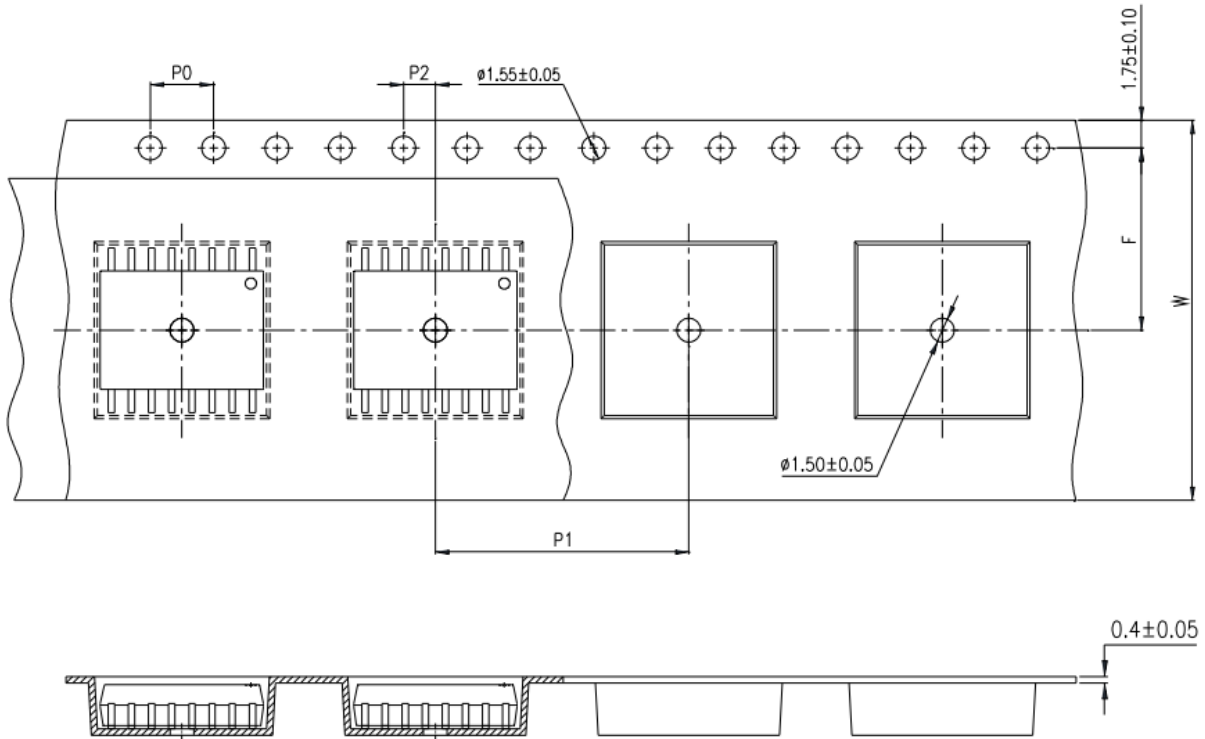
PACKAGE DIMENSIONS in mm (inch)





ICPL316J

TAPE AND REEL PACKAGING

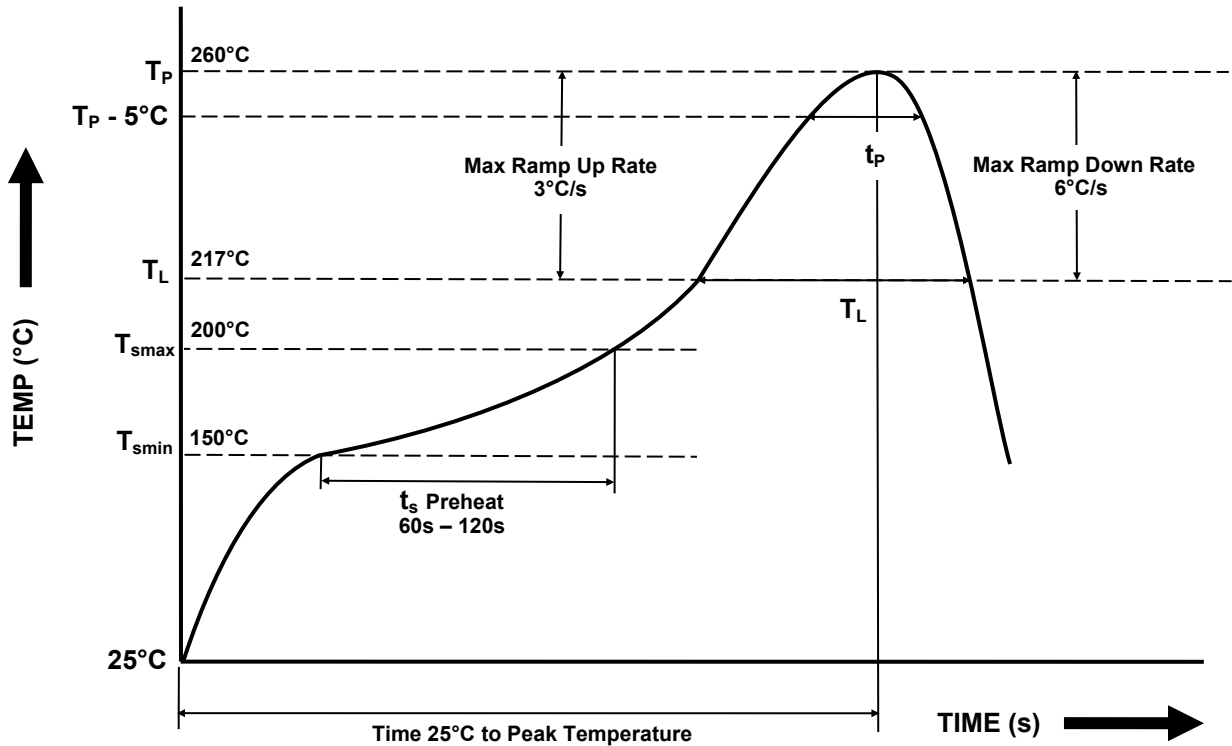


Description	Symbol	Dimension mm (inch)
Tape Width	W	24 ± 0.3 (0.94)
Pitch of Sprocket Holes	P_0	4 ± 0.1 (0.15)
Distance of Compartment to Sprocket Holes	F	11.5 ± 0.1 (0.452)
	P_2	2 ± 0.1 (0.079)
Distance of Compartment to Compartment	P_1	16 ± 0.1 (0.63)



ICPL316J

IR REFLOW SOLDERING TEMPERATURE PROFILE
Note : One Time Reflow Soldering is Recommended.
Do Not Immerse Device Body in Solder Paste.



Profile Details	Conditions
Preheat - Min Temperature (T_{SMIN}) - Max Temperature (T_{SMAX}) - Time T_{SMIN} to T_{SMAX} (t_s)	150°C 200°C 60s - 120s
Soldering Zone - Peak Temperature (T_P) - Time at Peak Temperature - Liquidous Temperature (T_L) - Time within 5°C of Actual Peak Temperature ($T_P - 5^\circ\text{C}$) - Time maintained above T_L (t_L) - Ramp Up Rate (T_L to T_P) - Ramp Down Rate (T_P to T_L)	260°C 10s max 217°C 30s max 60s - 100s 3°C/s max 6°C/s max
Average Ramp Up Rate (T_{smax} to T_P)	3°C/s max
Time 25°C to Peak Temperature	8 minutes max



DISCLAIMER

Isocom Components is continually working to improve the quality and reliability of its products. Nevertheless, semiconductor devices in general can malfunction or fail due to their inherent electrical sensitivity and vulnerability to physical stress. It is the responsibility of the buyer, when utilizing Isocom Components products, to comply with the standards of safety in making a safe design for the entire system, and to avoid situations in which a malfunction or failure of such Isocom Components products could cause loss of human life, bodily injury or damage to property.

In developing your designs, please ensure that Isocom Components products are used within specified operating ranges as set forth in the most recent Isocom Components products specifications.

The Isocom Components products listed in this document are intended for usage in general electronics applications (computer, personal equipment, office equipment, measuring equipment, industrial robotics, domestic appliances, etc.). These Isocom Components products are neither intended nor warranted for usage in equipment that requires extraordinarily high quality and/or reliability or a malfunction or failure of which may cause loss of human life or bodily injury ("Unintended Usage"). Unintended Usage include atomic energy control instruments, airplane or spaceship instruments, transportation Instruments, traffic signal instruments, combustion control instruments, medical Instruments, all types of safety devices, etc... Unintended Usage of Isocom Components products listed in this document shall be made at the customer's own risk.

Gallium arsenide (GaAs) is a substance used in the products described in this document. GaAs dust and fumes are toxic. Do not break, cut or pulverize the product, or use chemicals to dissolve them. When disposing of the products, follow the appropriate regulations. Do not dispose of the products with other industrial waste or with domestic garbage.

The products described in this document are subject to the foreign exchange and foreign trade laws.

The information contained herein is presented only as a guide for the applications of our products. No responsibility is assumed by Isocom Components for any infringements of intellectual property or other rights of the third parties which may result from its use. No license is granted by implication or otherwise under any intellectual property or other rights of Isocom Components or others.

The information contained herein is subject to change without notice.